

# MWR150 Wired Remote Installation and Operation Instructions

## INTRODUCTION

Thank you for choosing a Jensen product. The MWR150 Marine Wired Remote Control allows you to control basic functions of most Jensen Marine MS series radios, including power, mode, volume, tuning and CD, iPod and satellite radio operation.

## FEATURES

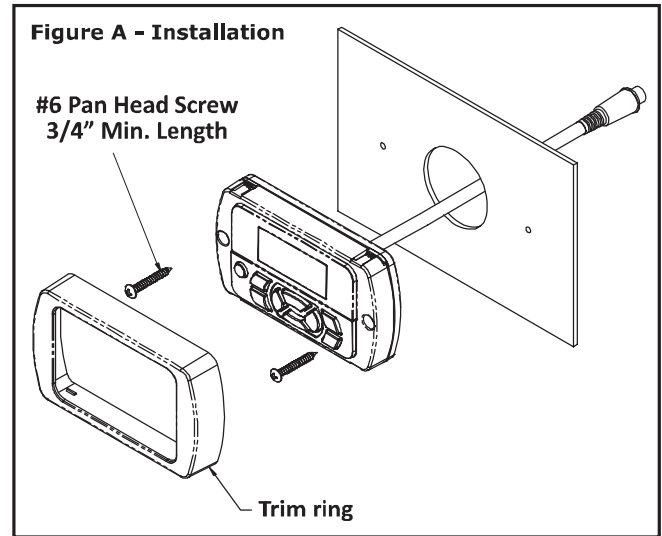
- Compatible with JENSEN Marine MS Series radios with remote control capability ONLY
- Waterproof design (IPX6 Rated)
- Conformal Coated circuit boards
- White LED backlit controls and LCD
- Full function sunlight readable display (positive type LCD)
- UV resistant finish (meets ASTM D4329 standards) resists yellowing in sunlight
- Corrosion resistant materials (meets ASTM B117)
- Panel mount with removable trim ring
- 20 ft. extension cable included
- FCC/CE certified

## INSTALLATION

1. Choose a mounting location on the instrument panel that will allow enough room behind the panel to run the wired remote cables to the existing radio.
2. Cut a hole in the instrument panel using the supplied template (See "Mounting Template" on page 2). At least 1" depth is needed to mount the remote control.

**IMPORTANT! Do not mount unit where it can be submerged.**

3. Insert the remote control into the hole and then secure with two #6 Pan Head Screws, at least 3/4" long, illustrated in Figure A.



## WIRING

Once the remote has been mounted, route the cable from the remote and connect the cable to the radio. Note the connector polarity on the extension cable. The 18 foot extension cable may be used to connect the remote to the radio. Up to two additional extension cables (MWREXT) may be purchased and used to extend the reach of the remote up to 54 feet.

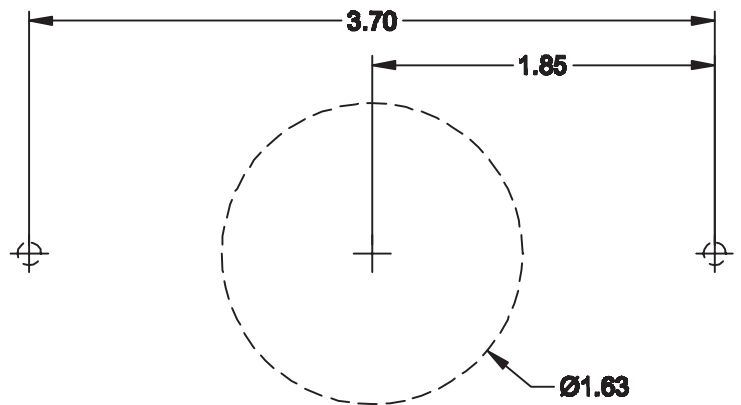
**IMPORTANT! When connecting the cables, be sure to route the extension cable away from sharp objects, corners, and places where it might get pinched, as this could affect performance and cause damage to the unit. Up to two more remote controls can be added with a "Y" cable adapter (MWRYCBL).**

## OPERATION

		AM/FM Tuner	CD	MP3 Playback Mode	iPod	Satellite Radio
Control	Action	Default Mode	Mode	Main Mode	Main Mode	Main Mode
POWER	Press	Power On/Off	Power On/Off	Power On/Off	Power On/Off	Power On/Off
MODE	Press	Select Next Mode	Select Next Mode	Select Next Mode	Select Next Mode	Select Next Mode
BAND	Press	Preset Band Change	---	---	---	Preset Band Change
VOL $\wedge$ UP	Press	Volume Increase	Volume Increase	Volume Increase	Volume Increase	Volume Increase
VOL $\vee$ DN	Press	Volume Decrease	Volume Decrease	Volume Decrease	Volume Decrease	Volume Decrease
INFO	Press	Clock Display Toggle	---	Display/ Toggle Artist/ Song/Etc.	Display/ Toggle Artist/ Song/Etc.	Display/ Toggle Artist/ Song/Etc.
>   MUTE	Press	Mute	Pause	Pause	Pause	Mute
<<	Press	Tune Down	Track Down	Track Down	Song Down	Channel Down
	Hold	Tune Seek Down	Rewind	Rewind	Rewind	---
>>	Press	Tune Up	Track Up	Track Up	Song Up	Channel Up
	Hold	Tune Seek Up	Fast Forward	Fast Forward	Fast Forward	---

iPhone, iPod nano and iPod touch are trademarks of Apple Inc. registered in U.S.A. and other countries. “Made for iPod” and “Made for iPhone” mean that an electronic accessory has been designed to connect specifically to iPod or iPhone, respectively, and has been certified by the developer to meet Apple performance standards. Apple is not responsible for the operation of this device or its compliance with safety and regulatory standards. Please note that the use of this accessory with iPod or iPhone may affect wireless performance.

## MOUNTING TEMPLATE



ASA Electronics Corporation  
[www.asaelectronics.com](http://www.asaelectronics.com)  
[www.jensenmarinedirect.com](http://www.jensenmarinedirect.com)  
 ©2017 ASA Electronics Corporation  
 v.100517