

# JHDHBC Wired Remote Installation Instructions

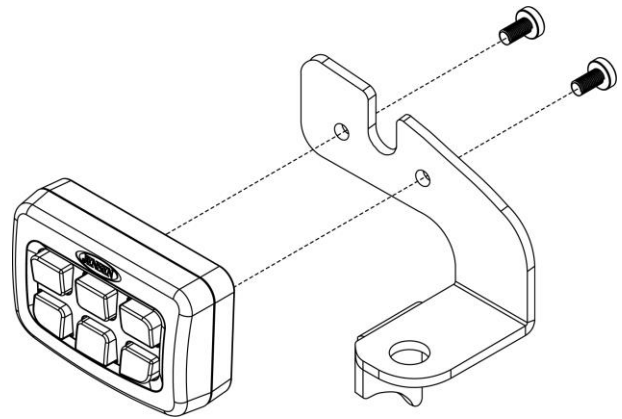
## Introduction

Thank you for choosing a Jensen product. The JHDHBC universal handlebar control allows convenient operation of compatible Jensen radios including volume adjustment, mode selection and basic functions of available sources such as AM/FM tuner, Weather Band, Bluetooth, USB, iPod/iPhone, SiriusXM satellite radio.

## Installation

Installation method is shown as diagram.

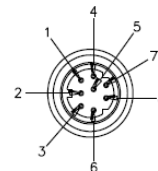
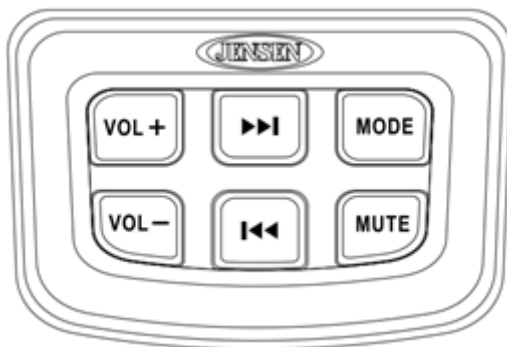
1. Kit Includes 2pcs M4 x 8 Mounting Screws and 6pcs Cable Ties".
2. Custom mounting brackets sold separately.



## Wiring

Once the remote has been mounted, route the cable from the remote and connect the cable to the radio. Note the connector polarity on the extension cable.

**Important:** When connecting the cables, be sure to route the extension cable away from sharp objects, corners, and places where it might get pinched, as this could affect performance and cause damage to the unit.



VIEW A-A  
SHOWN FROM PIN VIEW

PIN NO.	FUNCTION
1	VOLUME +
2	VOLUME -
3	MUTE
4	GROUND
5	TUNE +
6	TUNE -
7	MODE
8	GROUND



ASA Electronics Corporation  
[www.asaelectronics.com](http://www.asaelectronics.com)  
[www.jensenheavyduty.com](http://www.jensenheavyduty.com)

©2017 ASA Electronics Corporation  
 v.200417

# Operation

Control	Action	Standby	Tuner	USB MP3	iPod iPhone	AUX	Bluetooth	SiriusXM	Weather Band
VOL+ UP	Press	—	Volume Increase	Volume Increase	Volume Increase	Volume Increase	Volume Increase	Volume Increase	Volume Increase
	Hold	—	Rapid Volume Increase	Rapid Volume Increase	Rapid Volume Increase	Rapid Volume Increase	Rapid Volume Increase	Rapid Volume Increase	Rapid Volume Increase
VOL- DN	Press	—	Volume Decrease	Volume Decrease	Volume Decrease	Volume Decrease	Volume Decrease	Volume Decrease	Volume Decrease
	Hold	—	Rapid Volume Decrease	Rapid Volume Decrease	Rapid Volume Decrease	Rapid Volume Decrease	Rapid Volume Decrease	Rapid Volume Decrease	Rapid Volume Decrease
<<	Press	—	Tune Down	Previous Track	Previous Track	—	Previous Track	Step Tune Down	Previous Station
	Hold	—	Tune Seek Down	Rewind	Rewind	—	—	Rapid Channel Down	—
>>	Press	—	Tune Up	Next Track	Next Track	—	Next Track	Step Tune Up	Next Station
	Hold	—	Tune Seek Up	Fast-Forward	Fast-Forward	—	—	Rapid Channel Up	—
MUTE	Press	—	Mute Unmute	Mute Unmute	Mute Unmute	Mute Unmute	Mute Unmute	Mute Unmute	Mute Unmute
MODE	Press	—	Press the MODE button on the control panel to select a different mode of operation, Available modes include Tuners, iPod, USB, AUX In, BT and SXM						—



ASA Electronics Corporation  
[www.asaelectronics.com](http://www.asaelectronics.com)  
[www.jensenheavyduty.com](http://www.jensenheavyduty.com)  
 ©2017 ASA Electronics Corporation  
 v.200417