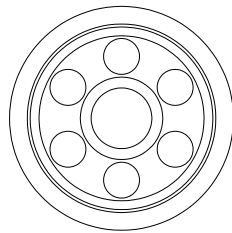


# Voyager<sup>®</sup>

## VCMYL35 - Color(NTSC) Cylindrical Observation

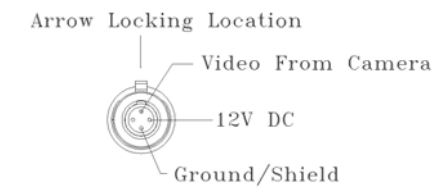


### Features:

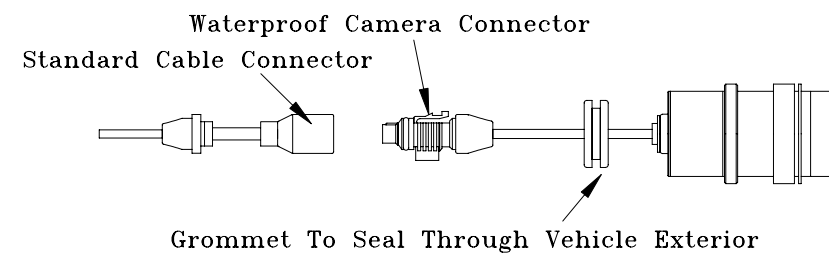
- High Resolution Color 1/3" Camera
- Infra-red LED Assisted Low Light Enhancement
- Lightweight/Rugged Aluminum Body.
- Waterproof Design
- Wide Angle Lens
- NTSC Signal

### Contents :

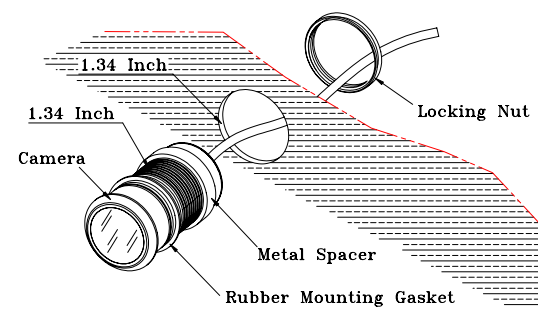
- Camera
- Locking Nut
- Metal Spacer
- Rubber Mounting Gasket



### Installation and Pin Out:



## Installation



### Specifications

- Signal System : NTSC
- Image Sensor : 1/3" Color C-MOS(Omnivision OV07940 CLCC)  
w/electronic Auto-iris  
250K pixels
- Light Sensitivity : 0.01 Lux
- Power : 12VDC / 100mA
- Viewing Angle : 105°(H), 80°(V), 130°(D)
- Outer Dimensions :  $\phi$  34(W) X 51(D) mm  
 $\phi$  1.34(W) X 2.01(D) Inch

\* Specifications are subject to change without notice.



[www.asaelectronics.com](http://www.asaelectronics.com)